

2MP Vandal-resistant Network IR Fixed Dome Camera

IPC-D122-PF28(40)



Key Features

Optics

- Day/night functionality
- Smart IR, up to 30m (98ft) IR distance
- 2D/3D DNR (Digital Noise Reduction)

Compression

- Ultra 265, H.265, H.264
- ROI (Region of Interest)

Network

- ONVIF Conformance

Structure

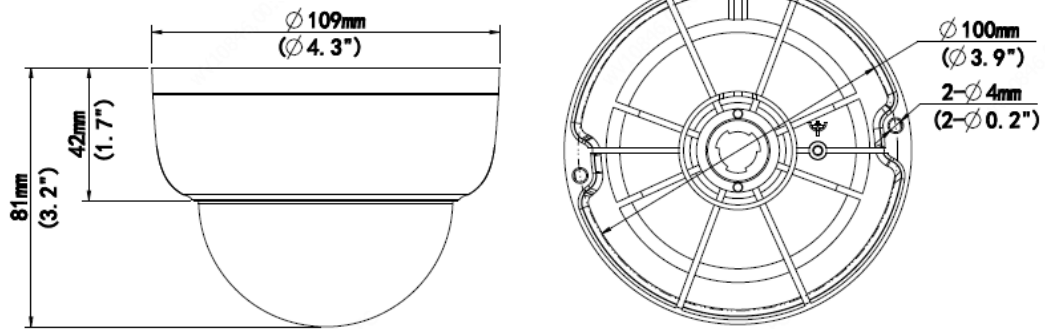
- Wide temperature range: -30°C ~ 60°C (-22°F ~ 140°F)
- Wide voltage range of $\pm 25\%$
- IK10 vandal resistant
- IP67
- 2-Axis

Specifications

| | IPC-D122-PF28 | IPC-D122-PF40 | | | |
|-------------------------|---|---------------|----------------|---------------|--------------|
| Camera | | | | | |
| Sensor | 1/2.8", progressive scan, CMOS | | | | |
| Lens | 2.8mm@F2.1 | | 4.0mm@F2.1 | | |
| DORI Distance | Lens (mm) | Detect (m) | Observe (m) | Recognize (m) | Identify (m) |
| | 2.8 | 43.4 | 17.4 | 8.7 | 4.3 |
| | 4.0 | 62.1 | 24.8 | 12.4 | 6.2 |
| Angle of View (H) | 106.7° | | 87.5 | | |
| Angle of View (V) | 57.1° | | 46.3° | | |
| Angle of View (O) | 115.7° | | 92.4° | | |
| Adjustment angle | Pan: 3° ~ 360° | | Tilt: 0° ~ 75° | | |
| Shutter | Auto/Manual, 1 ~ 1/100000s | | | | |
| Minimum Illumination | Colour: 0.02Lux (F2.1, AGC ON) 0Lux with IR | | | | |
| Day/Night | IR-cut filter with auto switch (ICR) | | | | |
| Digital noise reduction | 2D/3D DNR | | | | |
| S/N | >52dB | | | | |
| IR Range | Up to 30m (98ft) IR range | | | | |
| Defog | Digital Defog | | | | |
| WDR | DWDR | | | | |
| Video | | | | | |
| Video Compression | Ultra 265, H.265, H.264 | | | | |
| H.264 code profile | Baseline profile, Main profile, High profile | | | | |
| Frame Rate | Main Stream: 1080P (1920*1080), Max 25fps; 720P (1280*720), Max 25fps; Sub Stream: D1 (720*576), Max 25fps; 640*360, Max 25fps; 2CIF(704*288), Max 25fps; CIF(352*288), Max 25fps; | | | | |
| HLC | Supported | | | | |
| BLC | Supported | | | | |
| OSD | Up to 4 OSDs | | | | |
| Privacy Mask | Up to 4 areas | | | | |
| ROI | Up to 8 areas | | | | |
| Motion Detection | Up to 4 areas | | | | |
| Network | | | | | |
| Protocols | IPv4, IGMP, ICMP, TCP, UDP, DHCP, RTP, RTSP, RTCP, DNS, DDNS, NTP, UPnP, HTTP, RTMP | | | | |
| Compatible Integration | ONVIF (Profile S, Profile T), API | | | | |
| Interface | | | | | |
| Network | 10/100M Base-TX Ethernet | | | | |
| General | | | | | |
| Power | DC 12V±25%, PoE (IEEE 802.3af) | | | | |
| | Power consumption: Max 3.5W | | | | |
| Dimensions (Ø x H) | Ø109x 81mm (Ø4.3" x 3.2") | | | | |
| Weight | 0.33kg (0.73lb) | | | | |
| Working Environment | -30°C ~ 60°C (-22°F ~ 140°F), Humidity: ≤95% RH (non-condensing) | | | | |

| | |
|--------------------|------|
| Surge Protection | 4KV |
| Ingress Protection | IP67 |
| Vandal Resistant | IK10 |
| Reset Button | N/A |

Dimensions



www.uniview.com/uniarch

©2021 Zhejiang Uniview Technologies Co., Ltd. All rights reserved.

*Product specifications and availability are subject to change without notice.