

# SmartAC1 Series

Face & Palm Verification and Fever Detection Terminal

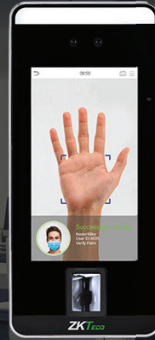
ZKT<sub>Eco</sub>



SmartAC1



Face



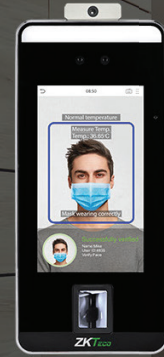
SmartAC1[P]



Palm



Face



SmartAC1[TD]



Palm



Face



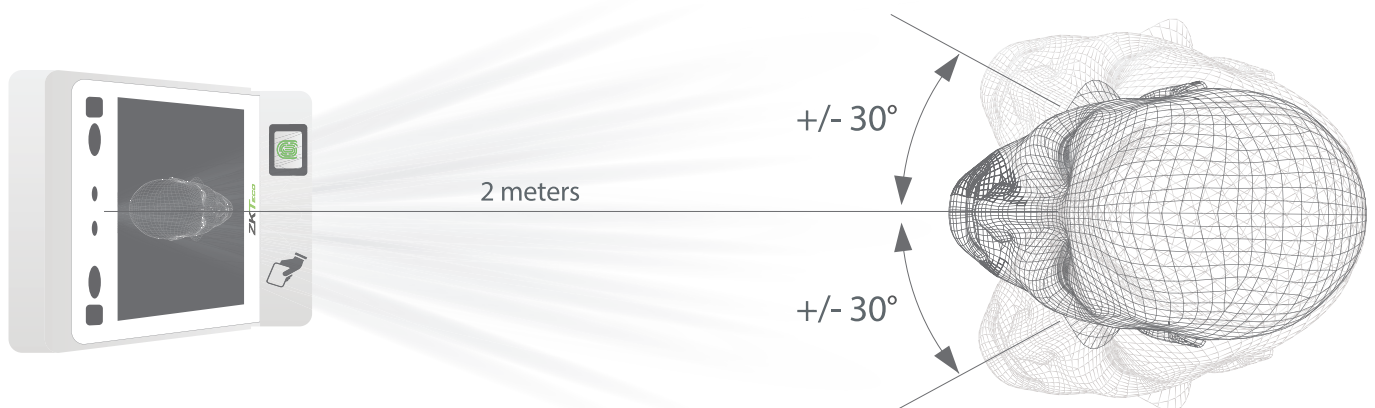
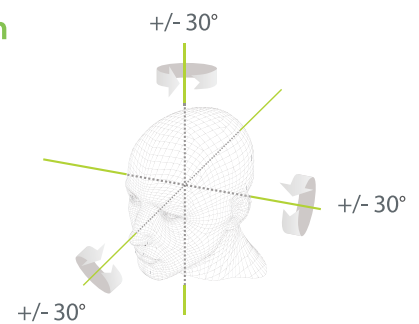
Fever and Mask  
Detection

## Features

- Visible Light Facial Recognition
- Anti-spoofing algorithm against print attack (laser, color and B/W photos), videos attack and 3D mask attack
- Multiple verification methods: Face / Fingerprint / Card / Password
- Available card modules: 125KHz ID card (EM) / 13.56MHz IC card (MF)
- Supplement lighting with adjustable brightness
- Capacity of 6,000 face templates

## 2 meters of recognition distance and extra wide angle recognition

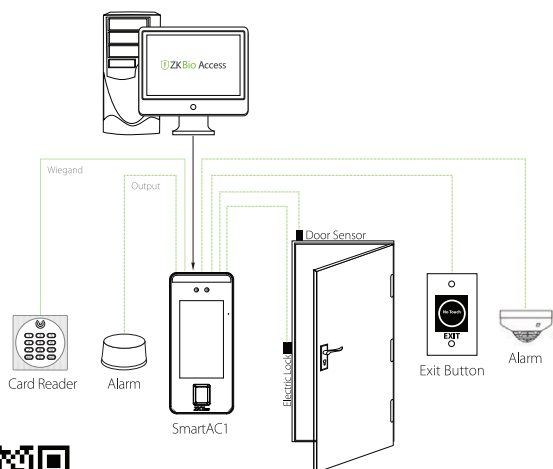
The recognition distance has been greatly extended to 2 meters, which significantly improves maximum traffic rate. While most of the algorithms only support +/-15° of detectable face angle, FaceDepot-7BL doubles the detection angle in terms of head rotation and tilt to +/- 30°.



# Specifications

	SmartAc1	SmartAc1[P]	SmartAc1 [TD]
Display	5-inch Touch Screen		
Face Capacity	6,000		
Palm Capacity	/	3,000	
Fingerprint Capacity	6,000		
Card Capacity	10,000 (Optional)		/
Transactions	200,000		
Operation System	Linux		
Standard Functions	ADMS, T9 Input, DST, Camera, 9-digit User ID, Access Levels, Groups, Holidays, Anti- passback, Record Query, Tamper Switch Alarm, Multiple Verify Modes.		
Hardware	900MHz Dual Core CPU, Memory 512MB RAM / 8G Flash, 2MP WDR Low Light Camera, Adjustable Light Brightness LED		
Communication	TCP/IP, WiFi (Optional), Wiegand input / output, RS485		
Access Control Interface	3rd Party Electric Lock, Door Sensor, Exit Button, Alarm output, Auxiliary Input		
Optional Function	13.56MHz IC Card (MF)		/
Facial Recognition Speed	≤1s		
Biometrics Algorithms	ZKFace V5.8 & ZKFinger V10.0 & ZKPalm V12.0		
Power Supply	12V 3A		
Operating Humidity	10% - 90%		
Operating Temperature	-10 °C - 45 °C		
Fever detection distance	+/- 0.5 degrees		
Masked face recognition distance	3m		
Fever detection distance	25cm – 50cm		
Fever detection speed	>0.3s		
Fever detection posture angle tolerance	+/-30 degrees		
Dimensions (W*H*D)	91.93*202.93*21.5mm		91.93*220*22.5mm
Supported Softwares	ZKBioAccess		

## Configuration



## Dimensions (mm)

