

//DATASHEET

XS4 MINI |

Cutting-edge design + Amazing technology:

Stylish design is a SALTO trademark and with the XS4 Mini, we raise the bar on this already high standard thanks to the XS4 Mini's small, discreet size combined with a modern, clean LED aesthetic. The Mini's smart compactness simplifies installation in virtually any kind of door, complementing any type of atmosphere.

XS4 MINI
Ex15x

SALTO
inspired**access**

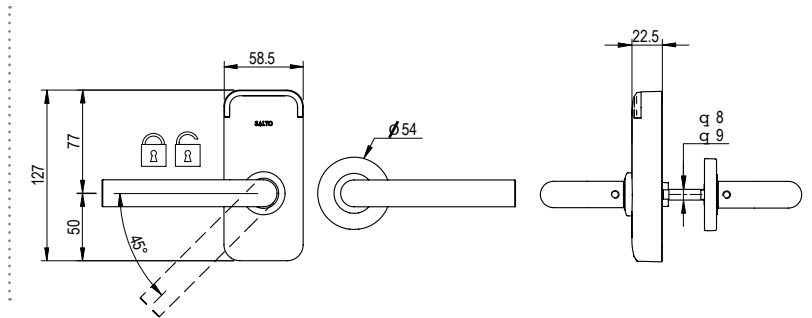


SALTO XS4 MINI DOORLOCK FOR EUROPEAN MORTISE LOCKS WITH DIN DOOR HOLES (38 mm.)

The XS4 Mini is built in two halves that are fitted together by two long screws.

XS4 MINI: STANDARD

EUROPEAN DIN Ex15x



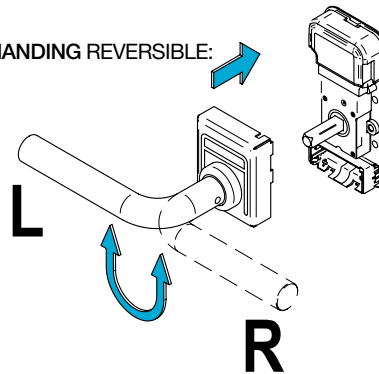
MAIN FEATURES:

- Simple offline installation is possible on any type of DIN standard door.
- Fully integrated with the SALTO XS4 platform.
- Virtual network capable through SALTO Virtual Network technology.
- Choice of ID carriers: Mifare, DESFire, Mifare Ultralight C.
- NFC compatible.
- All communications between the carrier and the XS4 Mini Electronic lock are encrypted and secure.
- Optical signalling through LED. Dual colour green/red to indicate access authorisation. Acoustic signal optional.
- Available in 2 different finishes: White and Black.
- Battery operated 3(AAA).
- Optional concealed fixing screw for greater security and improved aesthetics.
- Emergency opening by means of NFC portable programming device (PPD).
- For indoor use.

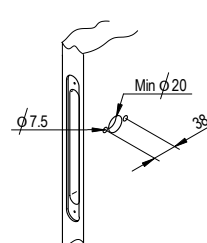
MECHANICAL ASPECTS:

- Dimensions: 127mm x 58,5mm x 22,5mm.
- Weight: 0.5kg.
- Handle turning hangle: 45°.
- Door thickness compatible: 35mm to 105mm.
- Distance from the handle to the cylinder: 70mm - 92mm (DIN Mortise Locks) 85 mm in combination with SALTO Mortise Lock L8P12*.
- Handle clutch mechanism.
- Inside always allows free egress (anti panic in combination with lock).
- Inside mechanism made of steel and reader polycarbonate covered.
- Handles compatible: Neck 16mm Ø.
- High security through advanced hardened high resistance anti-drill plates to protect the clutch mechanism.
- DDA (Disability Discrimination Act) compliant (depending on handle type).

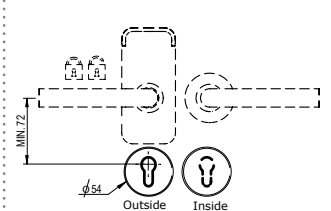
HANDING REVERSIBLE:



DOOR:



ACCESSORIES:

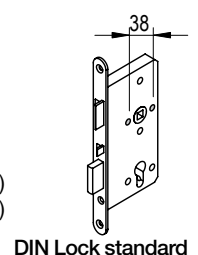


MORTISE LOCK & CYLINDER COMPATIBILITY:

- EU DIN Mortise Locks 38mm
- EU DIN Mortise Automatic Locks 38mm

SQUARED SPINDLES COMPATIBILITY:

- 8mm / 8mm split* (not for mechanical privacy models)
- 9mm / 9mm split* (not for mechanical privacy models)



DIN Lock standard

ELECTRONIC ASPECTS:

- Wireless real-time online capabilities through the SALTO wireless network*.
- User on card audit trailing capability for audit trailing via the SALTO Virtual Network (SVN).
- Contactless versions compatible with ISO 14443A, ISO 14443B and ISO 15693 (Vicinity) and covering a wide range of mainstream RFID brands such as DESFire, DESFire EV1, Mifare, Mifare plus, Ultralight C, allowing multi-application with third party systems using one card.
- Low battery power indication monitored through the SALTO Virtual Network (SVN) as low battery status information is written onto carriers and passed to the software. Also readings can be taken at the lock and passed to the software via contactless NFC PPD connection.
- Non volatile memory (memory is not deleted, even if power fails).
- Office mode (“passage” setting) available for leaving doors in free access mode.
- Firmware upgrade through contactless NFC PPD.

*depending on the model

FINISHES:

MODELS:



WHITE



BLACK



SVN



WIRELESS ONLINE

AVAILABLE LOCK MODES:

- **STANDARD:** Locked at all times.
- **OFFICE:** Free passage ability.
- **TIMED OFFICE:** Free passage with automatic locking.
- **AUTOMATIC OPENING:** 8 pairs of “hands free” timed lock and unlocks per day with holidays.
- **AUTOMATIC OPENING + OFFICE.**
- **TOGGLE:** Present card to lock, present card to unlock.
- **TIME TOGGLE:** present card to lock, present card to unlock depending on schedules.

ACCESS CONTROL FEATURES:

	ROM	R&W SVN	Wireless System
Maximum number of users per door	1,000	4,000,000	4,000,000
Maximum number of doors per system	16,000	64,000	64,000
Maximum events on lock audit	2,275	2,275	2,275
Timezones	30	256	256
Timeperiods	20	1,024	1,024
Calendars in system	42	256	256
User groups	unlimited	unlimited	unlimited
Zones in System	unlimited	unlimited	unlimited
Management software	Pro Access ROM	Pro Access HAMS (available SQL)	Pro Access HAMS (available SQL)

ID TECHNOLOGIES: Range of RFID credential / Keys available

- **MIFARE:** Mifare, Mifare plus, Ultralight C, DESfire, DESfire EV1 and Vicinity cards.



Contactless RFID Key Cards



Contactless RFID Fobs

- **NFC:** SALTO XS4 MINI contactless range is compatible with NFC (Near Field Communication) technology which allows NFC enabled cell phones to act as contactless data carriers to open and control SALTO access controlled doors.



Contactless RFID Silicone Bracelet



Contactless RFID Fobs Bracelet

MIFARE:

Mifare RFID contactless technology reads & writes information to contactless smart cards (RFID) compatible with ISO 14.443A, ISO 14.443B and ISO 15.693 standards, and as Mifare, Mifare plus, DESFire, DESFireEV1 technologies. They also allow for updating of the carriers via SALTO Virtual Net (SVN) technology.

- Fully integrated with the SALTO XS4 platform.
- 13.56MHz contactless RFID identification.
- ISO 14.443A - Mifare, DESFire Compatible.
- ISO 15.693 - Tag it, Icode, Flex Space (SKIDATA) Compatible.
- Near Field Communication (NFC) compatible.
- Key card available: 1Kbyte, 4Kbytes and 8 Kbytes depending on technology.
- Key shape available: ISO 7810 Cards, fobs, bracelets, stickers, watches...
- Reusable key cards.
- SALTO Virtual Network (SVN) compatible*.
- RFID technology permits contactless exchange of information between the card and the reader*.
- High security encrypted Proximity cards.
- Multi-application with other systems using the same card with different sectors.
- Customized issuing card through the SALTO Authorization Media software (SAM).
- Waterproof cards which can be customized.
- Upgradable: ROM, R&W systems available using the same hardware.

SALTO WIRELESS SYSTEM: REAL-TIME ACCESS CONTROL

The SALTO XS4 Mini wireless online electronic doorlocks delivers real-time high level security with all the convenience of battery operated access control. The SALTO Wireless system is compatible with most common RFID technologies. This makes integration easy and in most cases users can continue using existing cards for their applications.

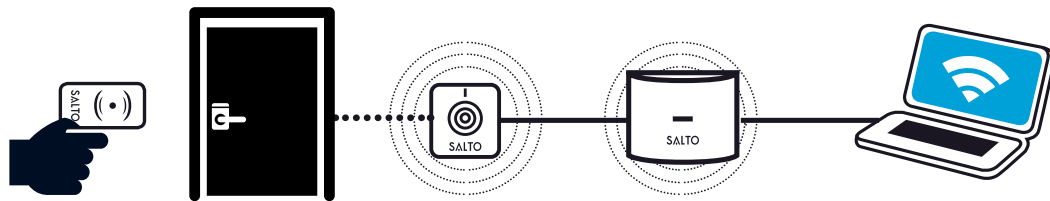
Extensive range of cylinders are easy to install and configure.

- Wireless Radio Frequency based on IEEE 802.15.4 at 2,4Ghz.
- AES 128 bits encryption.
- SALTO XS4 Mini electronic doorlocks can be upgraded to wireless system.
- Battery powered.
- Firmware updated via NFC contactless PPD or online real-time wirelessly through SALTO ProAccess SQL or HAMS SQL software.
- Completely integrated with SALTO platform. Works offline with SALTO Virtual Network (SVN) technology if network communication with the computer fails.
- 2,275 event audit trail back up if contact with PC is lost.

MAIN FEATURES:

- **REAL-TIME AUDIT TRAIL:** access granted, access denied, card expired.
- **REAL-TIME BATTERY CONTROL:** Monitor battery maintenance by viewing the lock battery status in real time.
- **KEY MANAGEMENT:** Resolved in real-time as the locks receive cancelled key updates as soon as they are generated.
- **BLACK LISTED KEYS CANCELLATION:** When a black listed credential is presented to an online XS4 Mini it will automatically be disabled and will not allow access even to offline stand-alone devices.

SALTO WIRELESS SYSTEM: INFRASTRUCTURE

**GATEWAY**

The SALTO Gateway is the link between the PC and the wireless network, it collects all the information sent by the locks that belong to the gateway.

- Wireless radio frequency based on IEEE 802.15.4 at 2,4Ghz.
- AES 128bits encryption.
- Connection to the LAN Network 10 BASE-T/100 BASE-TX.
- PoE supported IEEE802.3af (12V power adapter optional)
- Can manage several repeaters and many locks.
- IP addressing through web explorer available.
- Firmware update via software through Ethernet connection.



Wireless Gateway

NODE

The SALTO Node is a bridge between the gateway and the wireless network.

- Wireless radio frequency based on IEEE 802.15.4 at 2,4Ghz.
- AES 128bits encryption.
- Connection to the GATEWAY BUS 485.
- Powered by the GATEWAY.
- Can manage several repeaters and many locks.
- Firmware update via software through Ethernet connection.



Wireless Node

TECHNICAL DATA:

CURRENT REQUIRED:

Models Ex15x

- 3 alkaline LR03 AAA 1,5V.

Number of openings:

- Contactless versions: Up to 50.000 depending on the RFID technology.

ENVIRONMENTAL CONDITIONS:

- 0° / 50°.

CERTIFICATIONS:

Declaration of Conformity CE

Use of radio frequency spectrum

- ETSI EN 302 291-1 V1.1.1 (2005-07)
- ETSI EN 302 291-2 V1.1.1 (2005-07)

Electromagnetic Compatibility

- ETSI EN 301 489-3 V1.4.1 (2003-08)
- ETSI EN 301 489-1 V.1.9.2 (2011-09)

Security requirements

- EN 60950-1 (2006) / A11(2009) / A1 (2010) / A12 (2011)
- Following the provisions of the directive

Mechanical certifications against vandalisme & fire

- EN 1634 - 1Ei60 fire resistant*.

*Certification in progress.

SALTO ACCESS CONTROL PLATFORM FEATURES:

SALTO Systems networked escutcheons and cylinders can be used for a huge range of access control applications. It's the first RFID system that can be upgraded at any time — from a highly capable mid-range ROM system, and up to the high performance data-on-card technology SALTO Virtual Network (SVN) system that allows you to control all the doors in an entire building or group of buildings from a single PC. And with the advanced XS4 online battery operated wireless lock system, you can experience real-time access control solutions without the need for wiring.

- Completely integrated in the SALTO Systems platform.
- Enables users to have standalone electronic cylinders, stand-alone electronic locks, stand-alone electronic glass door locks (SALTO wireless compatible), emergency exit devices (SALTO wireless compatible), locker locks and IP based online readers, all in the same system with SALTO Virtual Network capabilities, making it possible to update user card access plans easily.
- Battery powered.
- Easy to install, to use and to maintain.

SALTO Systems reserves the right to modify technical specifications, designs and performance without notice. © SALTO SYSTEMS 2014